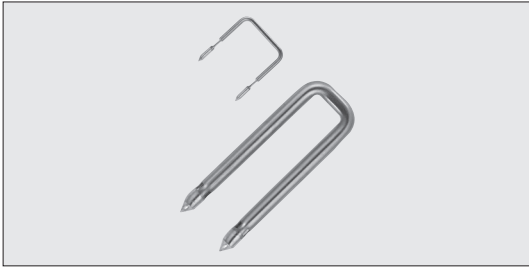
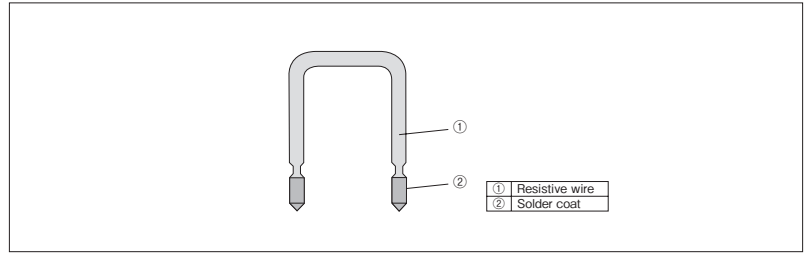


LR Custom Milliohm Resistors



Construction



Features

- The super low resistance ($3\text{m}\Omega\sim$) is suitable for high power current sensing.
- Pitches and heights adjustable according to mounting conditions.
- All custom-made products.
- Easy soldering.
- Products meet EU-RoHS requirements.

Type Designation

Example

LR	09	D	L	10	20L	J
Product Code	Symbol	Terminal Surface Material	Style	Insertion Pitch	Nominal Resistance	Resistance Tolerance
	06~20 : L-Style 23~29 : T-Style	D : SnAgCu N : No surface treatment	L : L-Style (06~20) T : T-Style (23~29)	Insertion pitch	3 digits	H : $\pm 3\%$ J : $\pm 5\%$

Resistance Value (Ω)	3 digits
3m~9.1m	3L0~9L1
10m~91m	10L~91L
0.1	R10

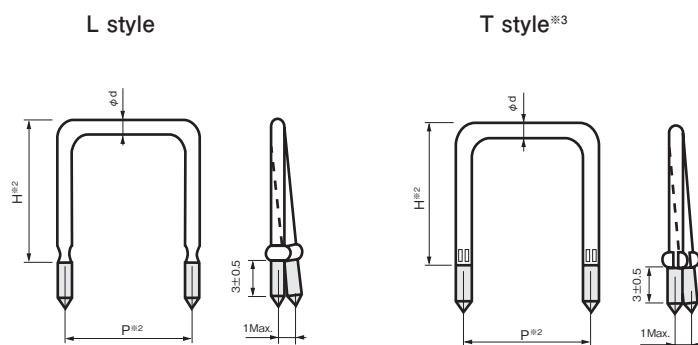
Contact us when you have control request for environmental hazardous material other than the substance specified by EU-RoHS.

Ratings

Type	Symbol	ϕd Diameter (mm)	Max. Current Rating*1 (A)	Resistance Range*1 (m Ω)	Resistance Tolerance	T.C.R. ($\times 10^{-6}/K$)	Rated Ambient Temp.	Operating Temp. Range
LR06D	06	0.6	3.0	50~100	H : $\pm 3\%$ J : $\pm 5\%$	± 100	+70°C	-40°C~+180°C
LR07D	07	0.7	4.0	30~70				
LR08D	08	0.8	4.5	28~50				
LR09D	09	0.9	5.0	20~40				
LR10D	10	1.0	5.5	15~30				
LR11D	11	1.1	6.0	15~20				
LR12D	12	1.2	7.0	10~20				
LR13D	13	1.3	7.5	10~20				
LR14D	14	1.4	8.0	10~20				
LR15D	15	1.5	9.0	10~20				
LR16D	16	1.6	9.5	10~15				
LR18D	18	1.8	11	5~10				
LR20D	20	2.0	12	5~10				
LR23D	23	2.3	14	3~10				
LR26D	26	2.6	18	3~5				
LR29D	29	2.9	21	3~5				

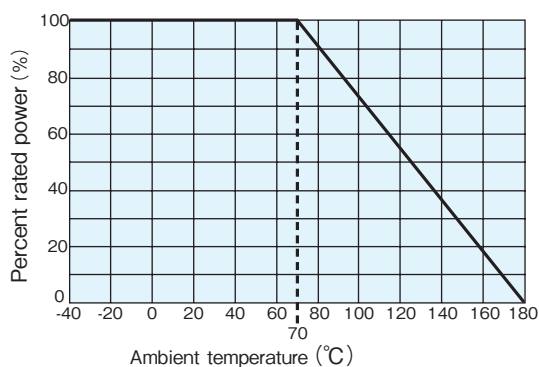
*1 The resistance range is when the pitch is 10mm.
Other diameters and resistance are also available on request.

■ Dimensions



※2 Please consult with us about dimensions "P" and "H".
 ※3 T Style is applied for the diameter of ϕ 2.3 or above.

■ Derating Curve



For resistors operated at an ambient temperature of 70°C or higher, the power shall be derated in accordance with the above derating curve.

■ Performance

Test Items	Performance Requirements $\Delta R \pm \%$		Test Methods
	Limit	Typical	
Resistance	Within specified tolerance	—	25°C
T.C.R.	Within specified T.C.R.	—	+ 25°C / + 125°C
Resistance to soldering heat	2	1.6	350°C \pm 10°C、3s
Moisture resistance	3	2.7	Power rating \times 1/10, 40°C、90%~95%RH、1000h 1.5h ON/0.5h OFF cycle
Endurance at 70°C	5	3	Rated voltage, 70°C, 1000h, 1.5h ON/0.5h OFF cycle

■ Precautions for Use

- In the resistance values of 50m Ω or under, the resistance value after soldering may change depending on the size of pad pattern or solder amount. Make sure the effect of decline/increase of resistance value before designing.